

# D-911 VCA FADER UNIT

# D-911

Thank you for purchasing TOA's D-911 VCA Fader unit.  
Please carefully follow the instructions in this manual to ensure long, trouble-free use of your equipment.

## 1. GENERAL DESCRIPTION

The D-911 VCA Fader Unit is designed to remotely control the digital mixer with the D-984VC VCA Control Module installed. Connecting to the D-984VC permits volume adjustment of input and output channels and contact controls of the digital mixer.

## 2. HANDLING PRECAUTIONS

- Connect the D-911 to the D-984VC VCA Control Module installed in the digital mixer. Connect each of eight terminals to the D-984VC's terminal of the same name by way of the fully-connected straight cable as shown on the right.
- Use the D-901 firmware of version 3.0 or later. Firmware versions earlier than it cannot be used in conjunction with the fader unit.  
The firmware version number can be confirmed on the D-901's front panel-mounted display. **[Display example]**  

TOA D-901 Series
Software Ver 3.00

 If your firmware version is old, download the latest software program and the "D901 PC software instruction manual" from the TOA Internet product data site [<http://www.toa-products.com/>]. For the update procedure, refer to the instruction manual.
- For channels with stereo link or group settings established at the digital mixer, only the lowest numbered channel in the preset link or group is enabled.
- Fader position "10" of the D-911 provides the channel gain set by the digital mixer. As a guide, knob position 8 provides about 10 dB below the gain set by the D-901.

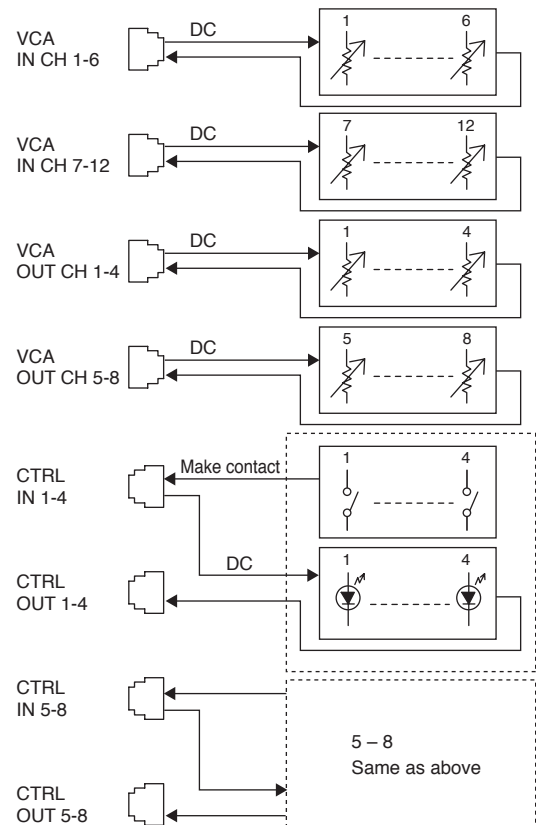
**[Connection]**



**[Display example]**



## 3. BLOCK DIAGRAM



## 4. SPECIFICATIONS

Power Supply	5 V DC (supplied from the optional D-984VC)
Connector	RJ45 connector x 8
Input Fader Control	Input fader (100 mm) x 12
Output Volume Control	Output volume control x 8
Contact Control	Illuminated switch x 8
Remote Output	No-voltage make contact output (contact capacity: 30 V DC, 4 A)
Remote Switch	Seesaw switch for activating the remote function of the power distributor
Finish	Panel: Pre-coated steel plate, black (30% glossy)
Dimensions	482.6 (w) x 177 (h) x 61.3 (d) mm (excluding projection)
Weight	2.7 kg

### • Accessories

- Fader knob (Red, Yellow)\* ..... 3 each
- Volume knob (Red)\* ..... 2
- Rack mounting screw 5 x 12 (with plane washer) ... 4
- Rack mounting bracket (preinstalled on the unit) .... 2

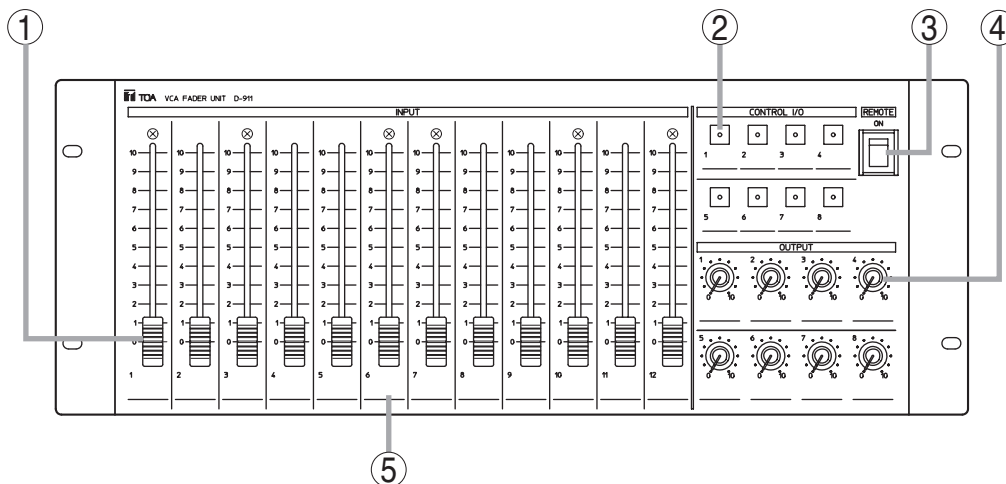
\* Convenient for color coding to distinguish channels to which stereo link or group settings are assigned.

### Note

The design and specifications are subject to change without notice for improvement.

## 5. NOMENCLATURE AND FUNCTIONS

[Front]



### 1. Input fader

Adjusts the volume of each input equipment (i.e. microphones and CD players).  
Fader position "0" provides the minimum volume, and position "10" the maximum volume.

### 2. Control key

Recalls preset memories or controls the contact. Lights when the preset memory is recalled or the contact is turned on. (Functions can be assigned to the contacts at the mixer.)

### 3. Remote (Activation) switch

Setting this switch to the ON position closes the remote (activation) output terminals (6) on the rear panel, and setting this switch to the opposite side opens the output terminals.

### 4. Output volume control knob

Adjusts the output volume.  
Position "0" provides the minimum volume, and position "10" the maximum volume.

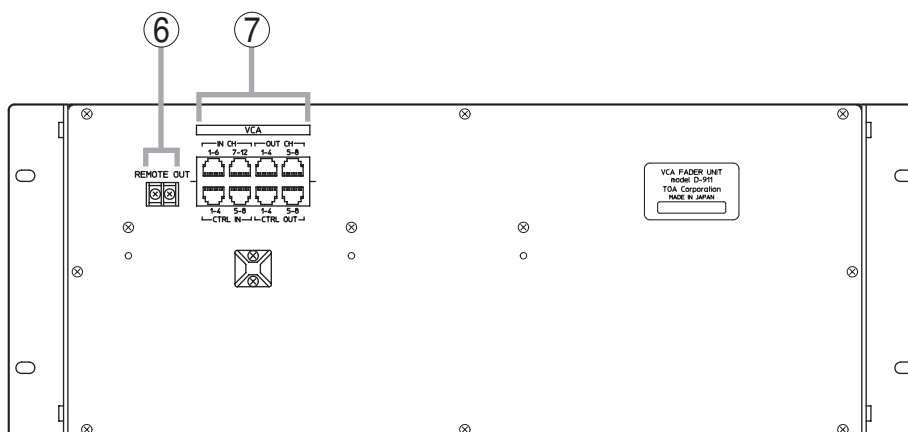
### 5. Name indication spaces

Used to indicate input and output names, preset memory contents, and other features for convenience of operation.  
(Example: CD player)

### Notes

- When connected to the D-901 digital mixer, volumes can be adjusted for all channels of the D-901.
- When connected to the D-2008SP digital mixer, desired input and output channels can be assigned freely to the input faders (1) and output volume control knobs (4) for volume adjustments using the D-2000 Setting Software. For details, refer to the instruction manuals attached to the D-2008SP.

[Rear]



### 6. Remote (activation) output terminals

Setting the Remote (activation) switch (3) to the ON position closes the output.

### 7. VCA control module connection terminals

These terminals are used exclusively for the D-984VC VCA Control module. Use an RJ45 connector for connection.

#### Note

Avoid connecting any other than the D-984VC to these terminals.